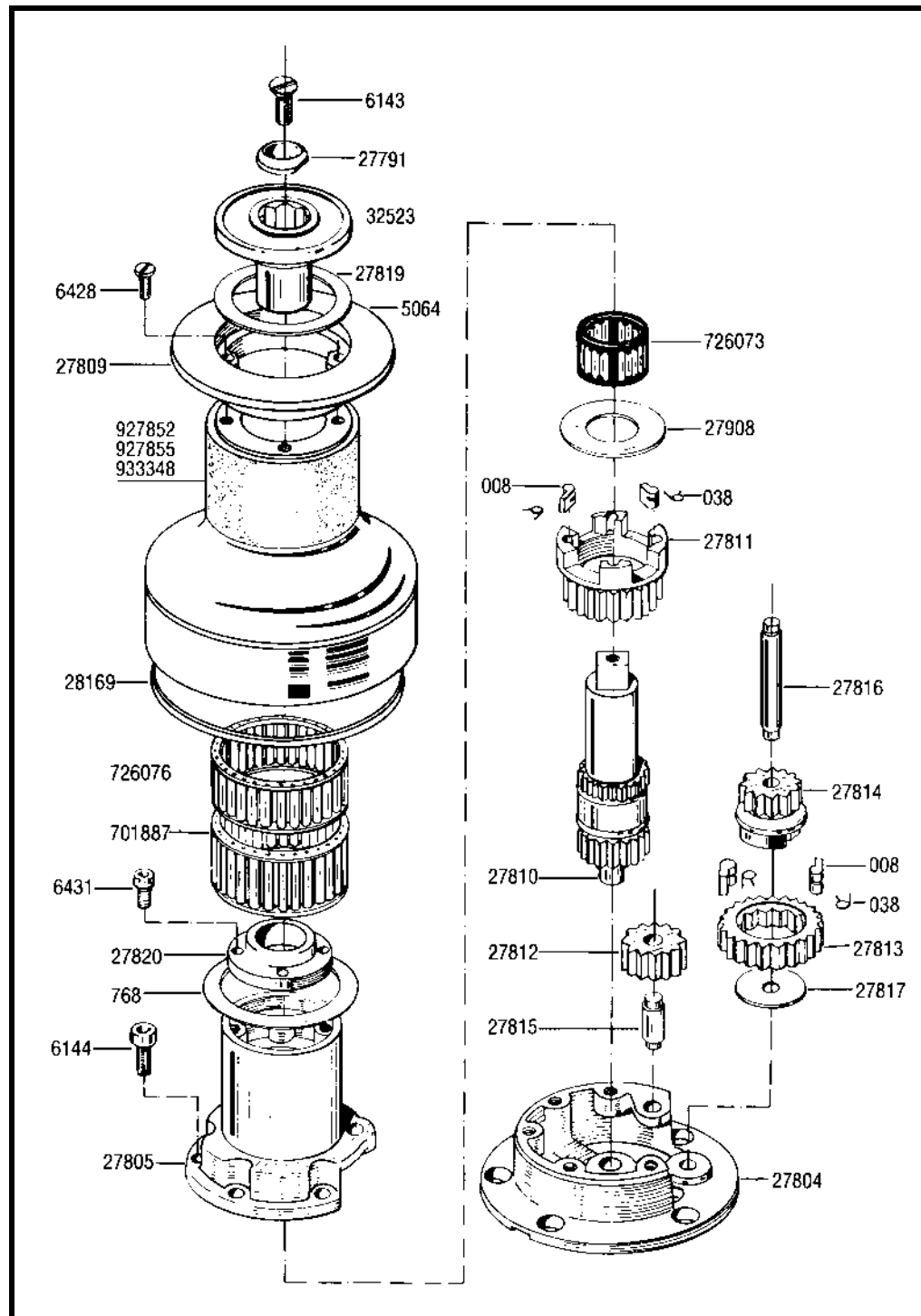


42.2

Two Speed Winch

HARKEN®



When ordering parts for service, please include a "B" before each number (i.e. B008).

Tools

Tools Required

Allen Wrench (6mm)
Allen Wrench (5mm for Self-tailing)
Screw driver
Plastic Head Hammer or Mallet
Small Knife
Brush
Rags
Solvent
Oil
Grease

Two Speed 42.2

Parts List

008	Pawl
038	Pawl Spring
768	Thrust Washer
5064	Plastic Washer
6143	Top Screw
6144	Screw
6428	Screw
6431	Screw
27791	Plastic Washer
27804	Base
27805	Center Stem
27809	Drum Crown
27810	Spindle
27811	Pawl Gear
27812	Gear
27813	Ratchet Gear
27814	Pawl Gear
27815	Gear Shaft
27816	Gear Shaft
27817	Cover Plate
27819	Handle Socket
27820	Stem Cap
27908	Washer
28169	Red Line Ring
32523	Top Cap
701887	Bearing
726073	Bearing
726076	Bearing
927852	Aluminum Drum
927855	Chrome Drum
933348	Bronze Drum

Suggested Service Kits

BK4512	10 Pawls 008
	10 Springs 038
BK4513	100ml Grease

Self-Tailing 42.2st

Parts List

6040	Screw
6106	Ball (32 required)
6143	Top Screw
6351	Screw
6431	Screw
26731	Roller
27699	Washer
27791	Plastic Washer
27840	Drum Crown
27841	Handle Socket
32373	Guide Ring
32535	Top Cap
33587	Upper Jaw
33588	Lower Jaw
33589	Adjusting Castle
33665	Shimming Washer
33696	Chrome Stripper Arm
33697	Stripper Arm Support
33702	Spring
33751	Spring
33752	Line Peeler
33789	Roller Shaft
33898	Bushing
35328	Bronze Stripper Arm
933696	Chrome Stripper Arm Assembly

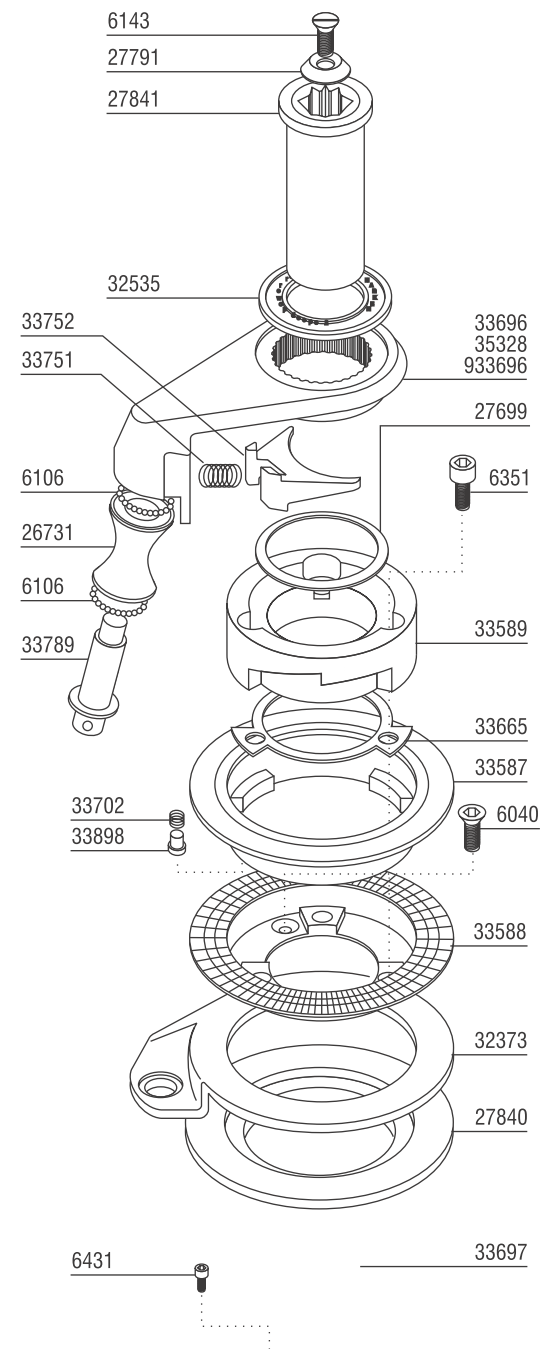
Suggested Service Kits

BK4512	10 Pawls 008
	10 Springs 038
BK4513	100ml Grease

42.2st

Two Speed Self-Tailing Winch

Winch Parts and Service Instructions



Recommended Service Cycle – Service winch before the sailing season and once during.

Adjusting Self-Tailer

If lines slip in the self-tailer, be sure that there are four or five wraps on the drum, then consider closing the jaws by pressing down on the upper jaw 33587 and turning counterclockwise.

The 33665 shimming washer must be removed to use small line.

The winch is more efficient when the jaw opening matches line size, so close the jaws only if you are using smaller line.

Positioning Stripper Arm

Loosen top screw
Remove handle socket
Lift stripper arm and position as desired

Opening Winch

Remove top screw
Lift off drum
On self-tailing winches, lift off stripper arm with drum

Servicing Winch

Remove bearings from center stem
Remove allen screws holding center stem to base
Remove center stem carefully
Remove pawls and springs - service as below
Remove all bearings, gear shafts and gears
Clean all parts with rags and solvent
Use a brush to lubricate all gears, gear shafts, bearings, teeth and all moving parts lightly with grease
Replace pawls and springs and lubricate lightly with oil
Reassemble and dose winch

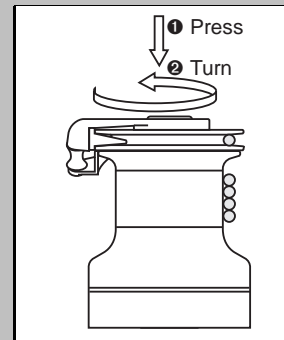
Servicing Pawls

Catch spring with knife and hold against pawl
Lift out pawl
Clean and check for wear
Place spring against pawl with straight leg against pawl
Hold spring closed and slip pawl into pawl socket
Lubricate pawls using oil

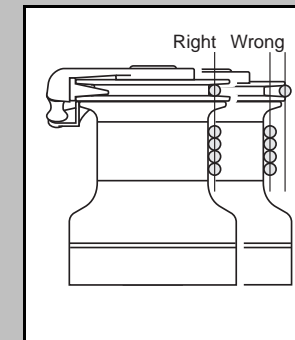
Fitting on Boat

Make sure mounting surface is flat
Check sheet entry angle
Open winch
Position winch on deck with drive gear where sheet enters winch drum and mark holes
Remove winch and drill holes
Mount using five 5/16" (8mm) flat head machine screws
Apply bedding compound and bolt winch to boat
Clean excess bedding compound from base drain holes
Lubricate and reassemble winch

Adjusting Self-Tailer



Press and turn to adjust self-tailer.



Correct opening: Sheet fits completely into jaw and rests against drum.

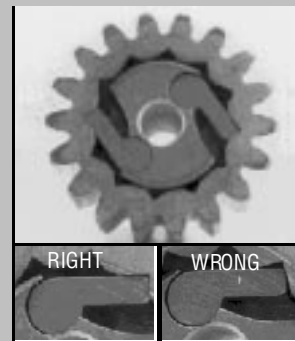
Servicing Winch



Clean all parts with solvent.



Grease lightly and spread grease evenly. Use a brush.

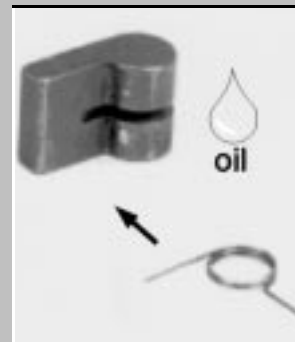


Attention: Ratchet gear mounted backwards will cause winch to slip.

Servicing Pawls

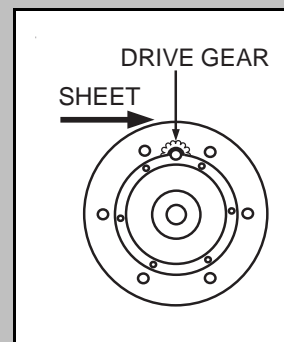


Use knife to free captive spring.

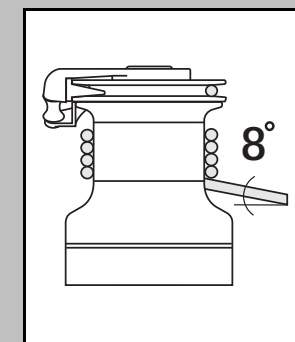


Insert spring with straight leg against pawl. Use oil for lubrication.

Fitting on Boat



Position drive gear where sheet enters winch drum.



Sheet entry angle must be at least 8°.

H4603-5/98